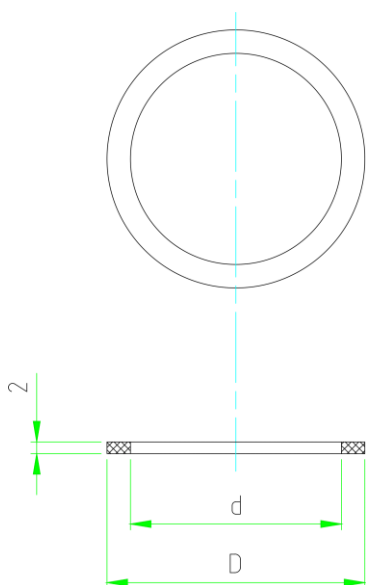




Zakład Produkcyjno-Handlowy Admet
Adam Czachor
Dobrynin 12a, 39-322 Rzemień
NIP: 817 107 29 73
tel. 17 774 81 44, fax. 17 774 81 45
www.admet.com.pl, biuro@admet.com.pl

Water meter gaskets

(Norm PN-M-54901-04:1992)



Water meter size (DN inch)	Outer diameter mm [D]	Inner diameter mm [d]	Material	Packing
DN15 1/2"	23,5	17	Fibra	100 pcs
DN20 3/4"	30	23	Fibra	100 pcs
DN25 1"	38	29	Fibra	100 pcs
DN32 5/4"	44	36	Fibra	100 pcs
DN40 6/4"	55	43	Fibra	100 pcs